



Duct End Bells

RMC's Duct End Bells are made of ABS material with extra wall thickness for superior strength and longevity. Our 2", 3", & 4" End Bells fit over conduit in concrete vault walls to provide a smooth entrance to the conduit. The face of our End Bells has a rolled edge for ease, protection and reduced frictional drag when pulling in the conductors. When properly cemented to the duct pipe, RMC's Duct End Bells insure a lasting moisture-proof installation with rolled resting edge for the cables.

DEB-3500

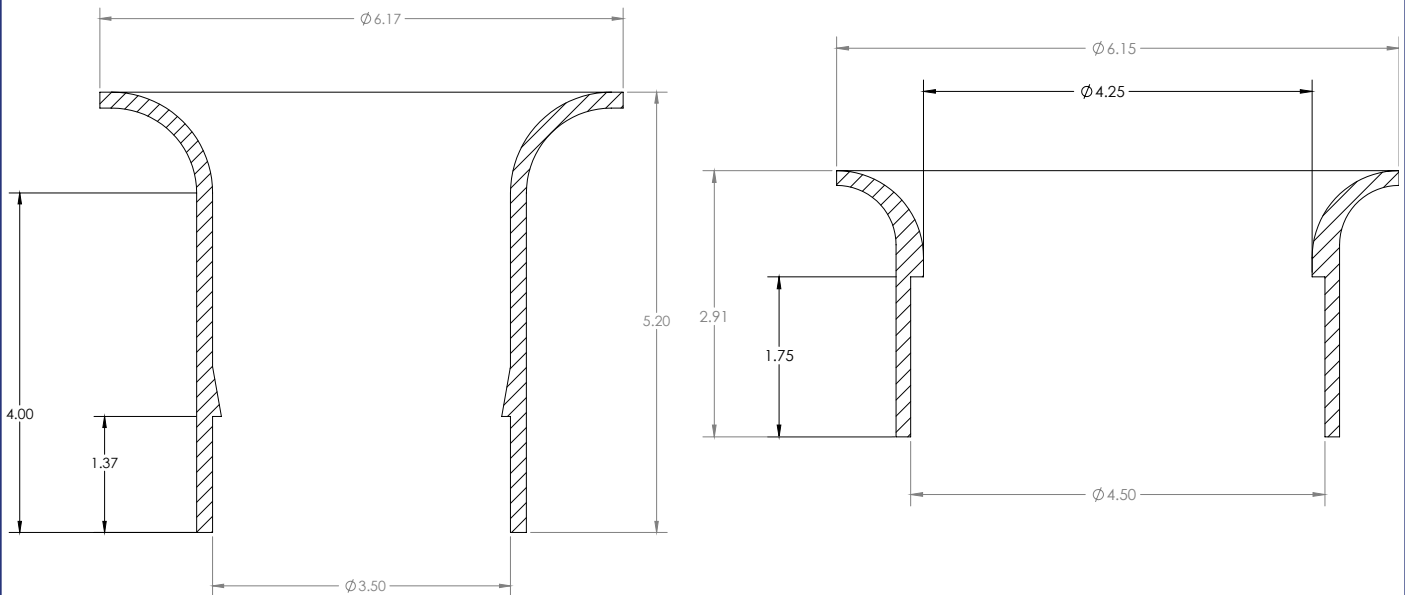


DEB-4500



Part #	Description	Trade Size	Carton Quantity
DEB-2375	2" Duct End Bell	2-inch Schedule 40	50
DEB-3500	3" Duct End Bell	3-inch Schedule 40	50
DEB-4500	4" Duct End Bell	4-inch Schedule 40	50

Measurements
in inches.



629 Aldine Mail Road
Houston, TX 77037

rmcplastics.com
Made in the USA

Phone: 281-447-5727
Fax: 281-447-8218