



Wildlife Protector Series SG-411 Protector

For Distribution Voltage Class Surge Arresters
and Primary Transformer Bushings

- Two-piece construction with identical halves (enhanced compatibility no left or right).
- Snaps together easily and securely with Positive Latching System. Can be removed for equipment maintenance or change-out and reinstalled.
- Internal rings designed to close around two bushing skirts for increased stability.
- Prefabricated cutouts can be removed to accommodate arrester jumper or air gap arresters.
- Drain slots incorporated in internal skirt rings to prevent excess moisture accumulation.
- UV enhanced High-Density Polyethylene resin for long service life.
- Dimensions: 4.0" I.D. by 11" high
- Color: Storm Gray
- Quantity: 20 per carton



Because of its versatility, solid construction and great design, RMC Plastics' SG-411 has been in constant production since 1986. The SG-411 is used in locations where additional height is required above the bushing. The SG-411 fits most bushings; our SG-4712 accommodates larger size bushings.

629 Aldine Mail Road
Houston, TX 77037

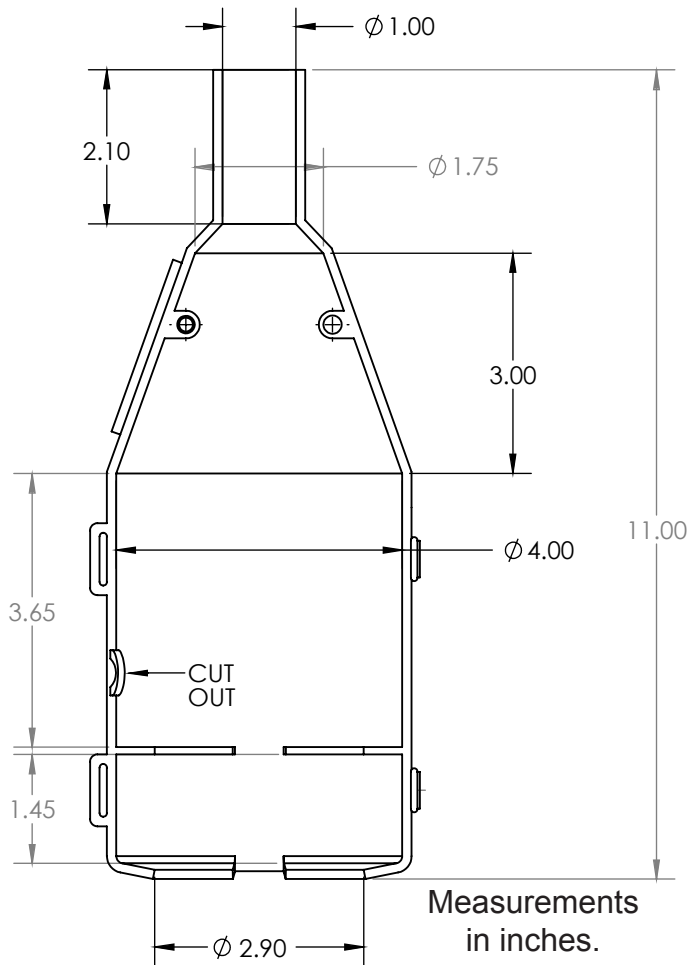
rmcplastics.com
Made in the USA

Phone: 281-447-5727
Fax: 281-447-8218



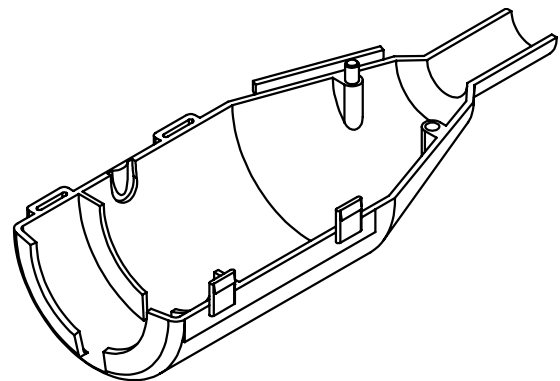
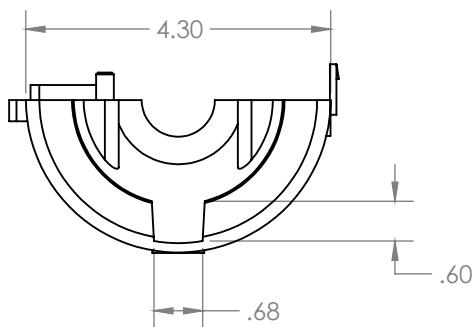
Wildlife Protector Series SG-411 Protector

For Distribution Voltage Class Surge Arresters
and Primary Transformer Bushings



Durability in wildlife protectors is defined by its material, wall thickness, latching system and U.V. resilience. RMC Plastics combines our Positive Latching System, heavy-duty wall thickness (over 100 thousands of an inch), and superior U.V. protection to meet these challenges.

Our U.V. package contains High-Density Polyethylene material with the maximum amount of Hindered Amine Light Stabilizers (HALS) and U.V. absorbers to ensure the longest life possible. Many of our products have been in service for over twenty years. See our full line of wildlife protectors at rmcplastics.com.



629 Aldine Mail Road
Houston, TX 77037

rmcplastics.com
Made in the USA

Phone: 281-447-5727
Fax: 281-447-8218