



# Wildlife Protector Series SG-4712 Protector

For Distribution Voltage Class Surge Arresters  
and Primary Transformer Bushings

- Two-piece construction with identical halves (enhanced compatibility no left or right).
- Snaps together easily and securely with Positive Latching System. Can be removed for equipment maintenance or change-out and reinstalled.
- Internal rings designed to close around two bushing skirts for increased stability.
- Prefabricated cutouts can be removed to accommodate arrester jumper or air gap arresters.
- Drain slots incorporated in internal skirt rings to prevent excess moisture accumulation.
- UV enhanced High-Density Polyethylene resin for long service life.
- Dimensions: 4.7" I.D. by 12" high
- Color: Storm Gray
- Quantity: 20 per carton



Because of its versatility, solid construction and great design, RMC Plastics' SG-4712 has kept its original design and has been in constant production since 1987. The SG-4712, designed to accommodate larger sized bushings, is used in locations where maximum height is required above the bushing.

629 Aldine Mail Road  
Houston, TX 77037

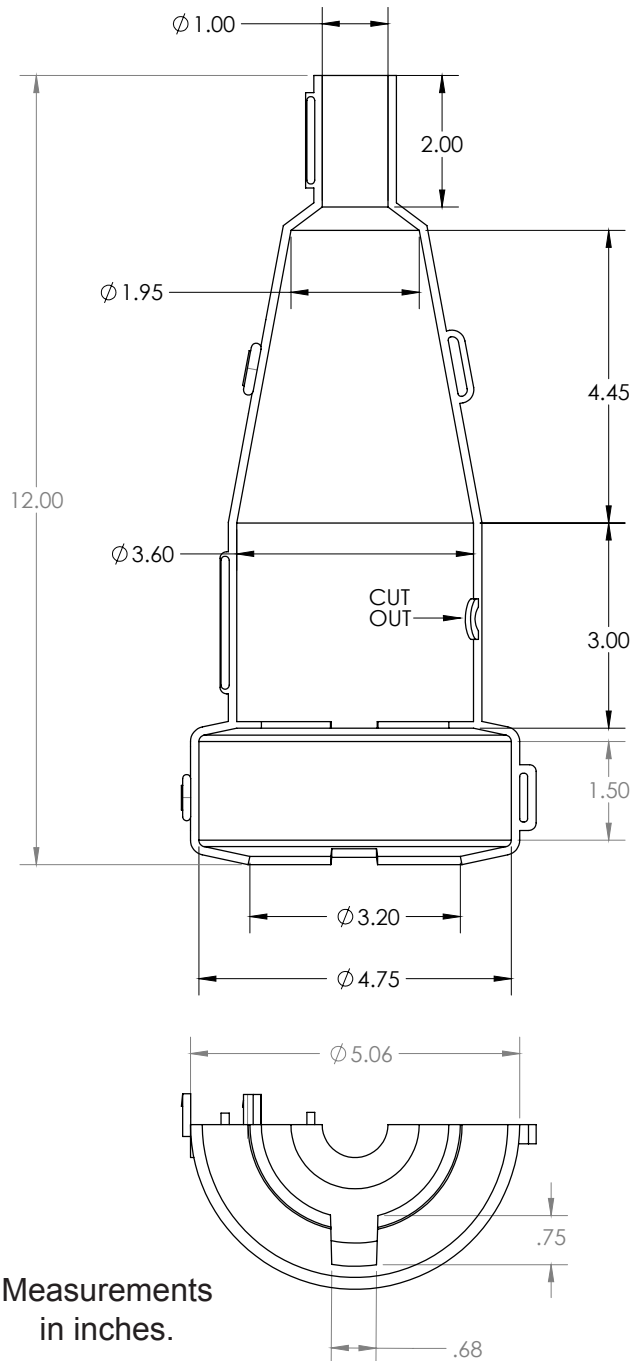
rmcplastics.com  
**Made in the USA**

Phone: 281-447-5727  
Fax: 281-447-8218



# Wildlife Protector Series SG-4712 Protector

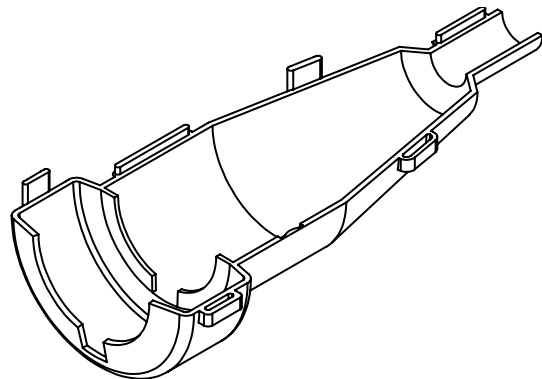
For Distribution Voltage Class Surge Arresters  
and Primary Transformer Bushings



Measurements  
in inches.

Durability in wildlife protectors is defined by its material, wall thickness, latching system and U.V. resilience. RMC Plastics combines our Positive Latching System, heavy-duty wall thickness (over 100 thousands of an inch), and superior U.V. protection to meet these challenges.

Our U.V. package contains High-Density Polyethylene material with the maximum amount of Hindered Amine Light Stabilizers (HALS) and U.V. absorbers to ensure the longest life possible. Many of our products have been in service for over twenty years. See our full line of wildlife protectors at [rmcplastics.com](http://rmcplastics.com).



629 Aldine Mail Road  
Houston, TX 77037

[rmcplastics.com](http://rmcplastics.com)  
**Made in the USA**

Phone: 281-447-5727  
Fax: 281-447-8218