



Wildlife Protector Series

SG-560 Protector

**For Distribution Voltage Class Surge Arresters
and Primary Transformer Bushings**

- **Two-piece construction with identical halves (enhanced compatibility no left or right).**
- **Snaps together easily and securely with Positive Latching System. Can be removed for equipment maintenance or change-out and reinstalled.**
- **Internal rings designed to close around two bushing skirts for increased stability.**
- **Prefabricated cutouts along the parting lines and top allow for three choices of entry.**
- **Drain slots incorporated in internal skirt rings to prevent excess moisture accumulation.**
- **UV enhanced High-Density Polyethylene resin for long service life.**
- **Dimensions: 5.28" I.D. by 6.0" high**
- **Color: Storm Gray**
- **Quantity: 20 per carton**



Because of its versatility, solid construction and great design, RMC Plastics SG-560 has kept its original design and has been in constant production for over 20 years. The SG-560 obtains maximum protection when used with insulated jumper materials. Most commonly used for lightning arrestors and URD cable terminations.

629 Aldine Mail Road
Houston, TX 77037

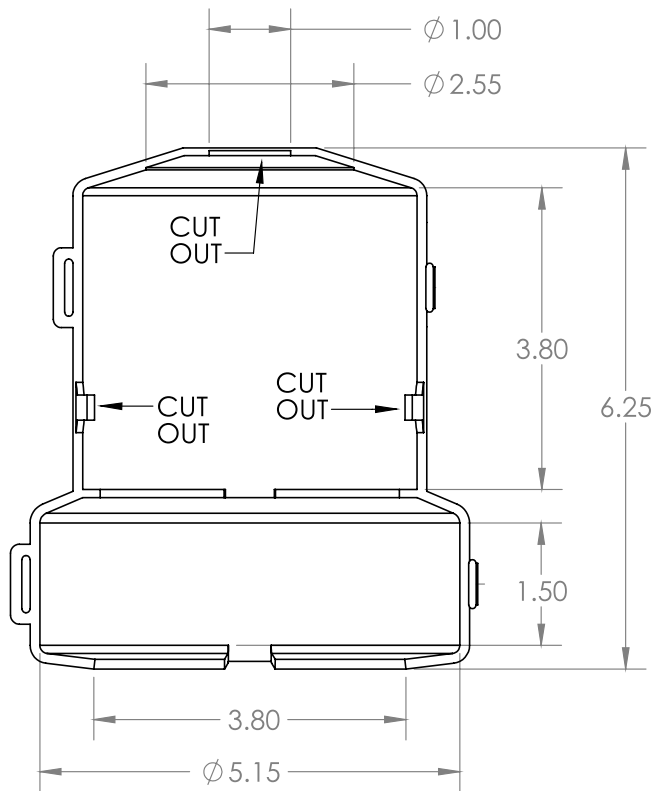
rmcplastics.com
Made in the USA

Phone: 281-447-5727
Fax: 281-447-8218



Wildlife Protector Series SG-560 Protector

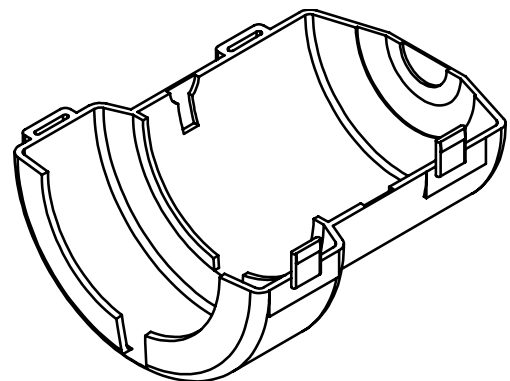
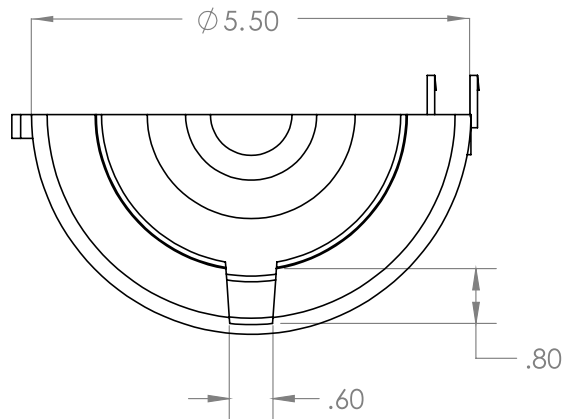
For Distribution Voltage Class Surge Arresters
and Primary Transformer Bushings



Durability in wildlife protectors is defined by its material, wall thickness, latching system and U.V. resilience. RMC Plastics combines our Positive Latching System, heavy-duty wall thickness (over 100 thousands of an inch), and superior U.V. protection to meet these challenges.

Our U.V. package contains High-Density Polyethylene material with the maximum amount of Hindered Amine Light Stabilizers (HALS) and U.V. absorbers to ensure the longest life possible. Many of our products have been in service for over twenty years. See our full line of wildlife protectors at rmcplastics.com.

Measurements
in inches.



629 Aldine Mail Road
Houston, TX 77037

rmcplastics.com
Made in the USA

Phone: 281-447-5727
Fax: 281-447-8218